

## **Explosion-Proof Audible and Visual Alarm (Stainless Steel, Low Current)**



**Model: AT-ESS01**

**Explosion-Proof Audible and Visual Alarm  
Installation and Operation Manual**

---

### **I. Product Overview**

The AT-ESS01 Explosion-Proof Audible and Visual Alarm is a non-addressable alarm device. Its explosion-proof performance complies with the GB3836-2010 standard series and has been certified by nationally authorized inspection agencies, obtaining the explosion-proof certification. It is suitable for use in Zone 1 and Zone 2 hazardous areas with explosive gas atmospheres of Group IIA, IIB, IIC, and Temperature Classes T1 to T6, as well as Zone 21 and Zone 22 hazardous areas with combustible dust atmospheres.

The AT-ESS01 Explosion-Proof Audible and Visual Alarm is an essential component of explosion-proof fire alarm systems. In the event of an emergency, such as an accident or fire, the alarm circuit is activated by a control signal from the fire alarm controller, emitting intense audible and visual signals to alert on-site personnel.

---

## II. Product Features

The AT-ESS01 Explosion-Proof Audible and Visual Alarm can be used in combination with manual call points to form a simple audible and visual alarm system.

It is compatible with fire alarm control panels from any domestic or international manufacturer.

The sound transmission component of the alarm utilizes an advanced stainless steel wire mesh flameproof element, which ensures minimal sound attenuation, high flow capacity, excellent mechanical strength, and a high flameproof safety factor.

The light source consists of multiple ultra-bright LEDs, providing clear visibility, long service life, low power consumption, and 360-degree visibility.

The housing is made of stainless steel, offering strong corrosion resistance.

---

## III. Technical Specifications

No.	Parameter Item	Specifications
1	Explosion-Proof Marking	Exdib IICT6 / ExtD A21 IP65 T85°C
2	Operating Voltage	DC24V
3	Alarm Current	≤250mA
4	Sound Intensity	90dB–110dB
5	Sound Pattern	Fire alarm tone
6	Protection Rating	IP65
7	Operating Temperature	-20°C to +50°C
8	Relative Humidity	≤95% (Non-condensing)
9	Atmospheric Pressure	80kPa–110kPa
10	Cable Entry Thread	G3/4 external thread (or customized)
11	Weight	2.4kg

---

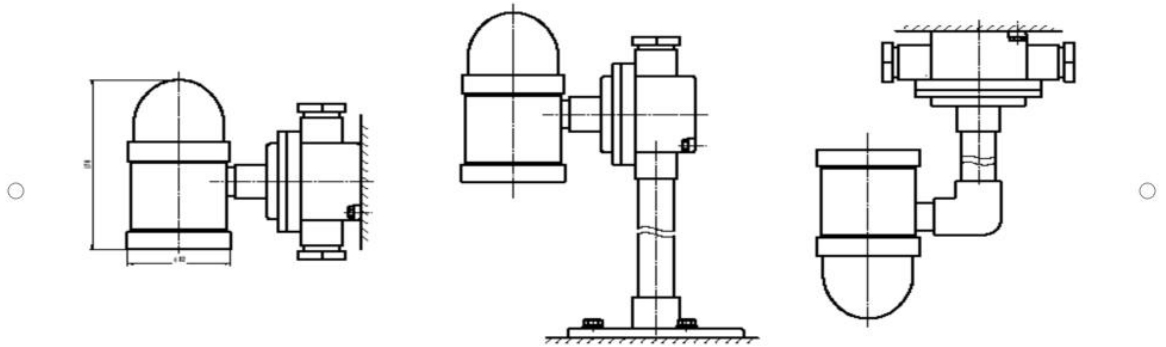
## IV. Dimensions, Installation, and Wiring

For dimensions and installation examples, refer to the diagram below.

**Note:** Ceiling mounting is not suitable for outdoor use.

### Wiring Instructions:

Unscrew the junction box cover and connect the DC24V cable to the terminal blocks (non-polarized).



### 1 Wall-mounted Installation

### 2 Floor-standing Installation 或 Floor-mounted Installation

### 3 Ceiling-mounted Installation